



GRIDDLE GAS

FLAT TOP

GRIDDLE GAS FLAT TOP



"Anvil's Flat Top Griddle, provides a simple and effective way to prepare food with that delicious restaurant flavor in an economical, safe and hassle-free way."

APPLICATION

- IDEAL FOR USE IN STEAK HOUSES, RESTAURANTS, COFFEE SHOPS, CLUBS AND PUBS
- REGULATOR SUPPLIED WITH UNIT
- AVAILABLE IN VARIOUS SIZES

CONSTRUCTION

- WELDED STAINLESS AND ALUMINIZED STEEL CONSTRUCTION
- 3/4" POLISHED STEEL GRIDDLE PLATE
- GAS KITS ARE INCLUDED FOR FIELD CONVERSIONS
- HEAVY DUTY BRASS VALVES
- 3/4NPT GAS INLET

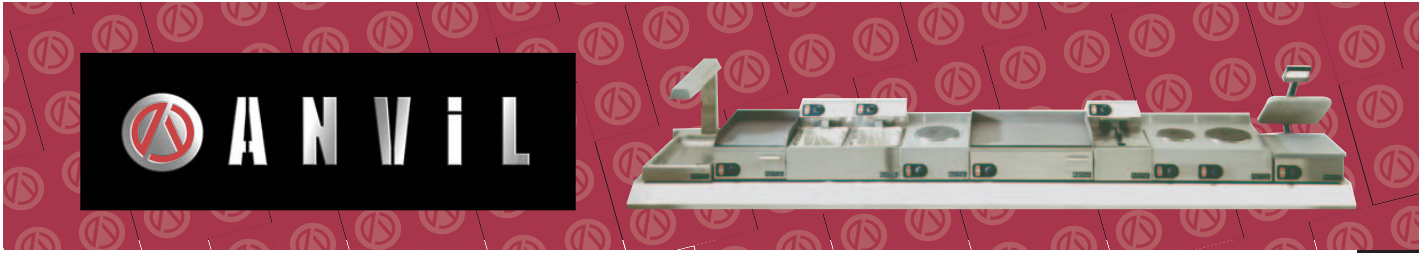
HEATING

- EXTENDED BURNERS ALLOW FOR BETTER HEAT DISTRIBUTION AND FAST RECOVERY

Anvil reserves the right, without notice, to make changes and revisions to product specifications, materials and design, which in our opinion, will provide better performance, durability and efficiency.



ALL ANVIL EQUIPMENT COMES WITH A ONE YEAR WARRANTY ON COMPONENTS AND DEFECTIVE WORKMANSHIP

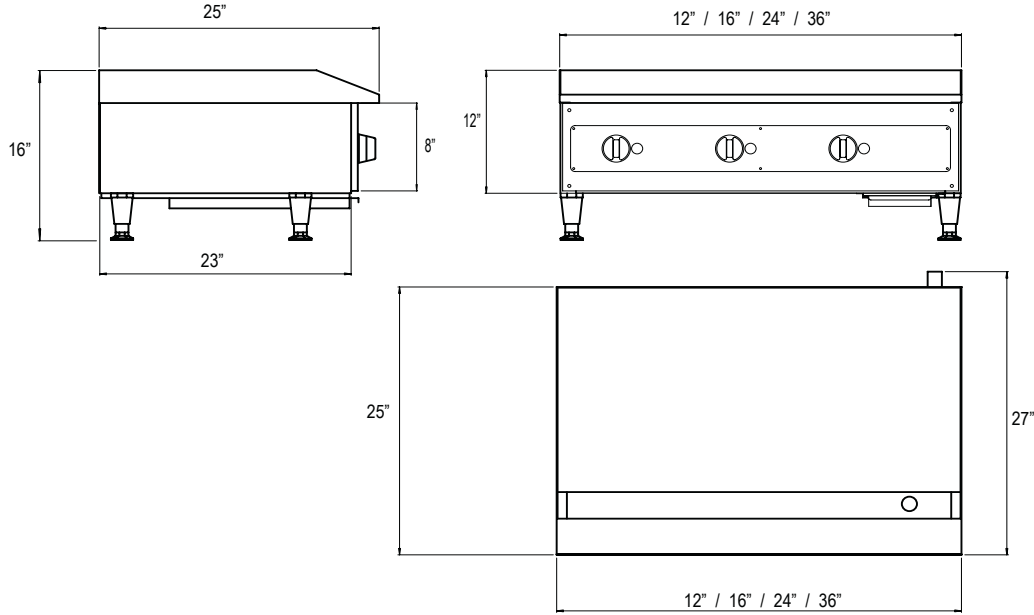


NOTE:

When viewing the appliance from the front in its usual operating position, the width (W) of the product is the total distance from left to right ; the depth (D) of the product is the total distance from front to back ; the height (H) is the total distance from the bottom of the product to the top

**GRIDDLE GAS
FLAT TOP**

MODELS:
FTG9012
FTG9016
FTG9024
FTG9036



DESCRIPTION	GRIDDLE 12"	GRIDDLE 16"	GRIDDLE 24"	GRIDDLE 36"
MODELS	FTG9012	FTG9016	FTG9024	FTG9036
SURFACE	Polished Steel	Polished Steel	Polished Steel	Polished Steel
GAS	Natural / LP	Natural / LP	Natural / LP	Natural / LP
OUTPUT: (BTU)	28000	28000	56000	84000
DIMENSIONS (in) (W x D x H)	12 x 16 x 27	16 x 16 x 27	24 x 16 x 27	36 x 16 x 27
BOX DIMNS (in) (W x D x H)	14 x 20 x 29	20 x 20 x 29	26 x 20 x 29	38 x 20 x 29
PACKED WEIGHT (lbs)	118lbs.	132lbs.	158lbs.	264lbs.

Note: • Output performance figures quoted are dependant on various factors.
• Gas pressure regulator is supplied, and must be installed.
• For use in non-combustible locations only.

Website: www.anvilworld.com

