

# Slimline

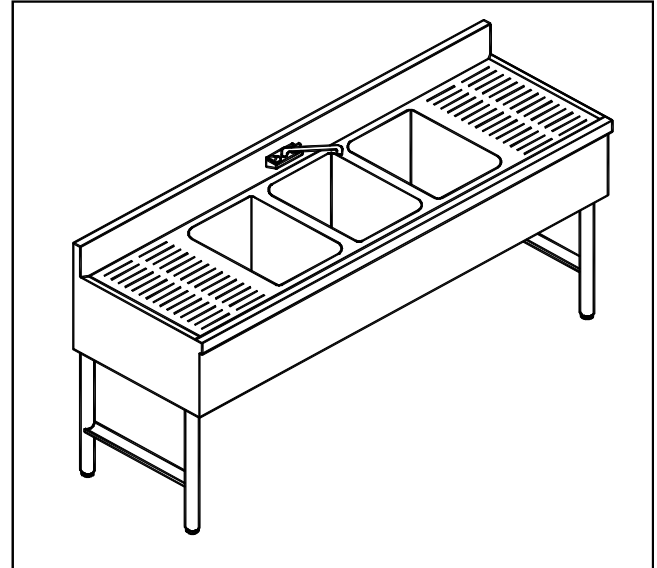
Spec Sheet No. SL-3

Job Name \_\_\_\_\_

Item No. \_\_\_\_\_

## Three Compartment Bar Sink

- SLB-33C
- SLB-43L
- SLB-43R
- SLB-53C
- SLB-53L
- SLB-53R
- SLB-63C
- SLB-73C
- SLB-83C



## Specifications

•**Sink Bowl:** 14"L x 10"W x 10"D 20 gauge 300 series stainless steel seamless deep drawn.

•**Drainboard:** 20 gauge 300 series stainless steel, embossed and seamless welded to sink bowl.

•**Front Apron:** 22 gauge 300 series stainless steel.

•**Sides:** 20 gauge 430 series stainless steel.

•**Backsplash:** 22 gauge 300 series stainless steel.

•**Under Structure:** 22 gauge galvaneal fronts and backs, 11 gauge electrogalvaneal leg channel.

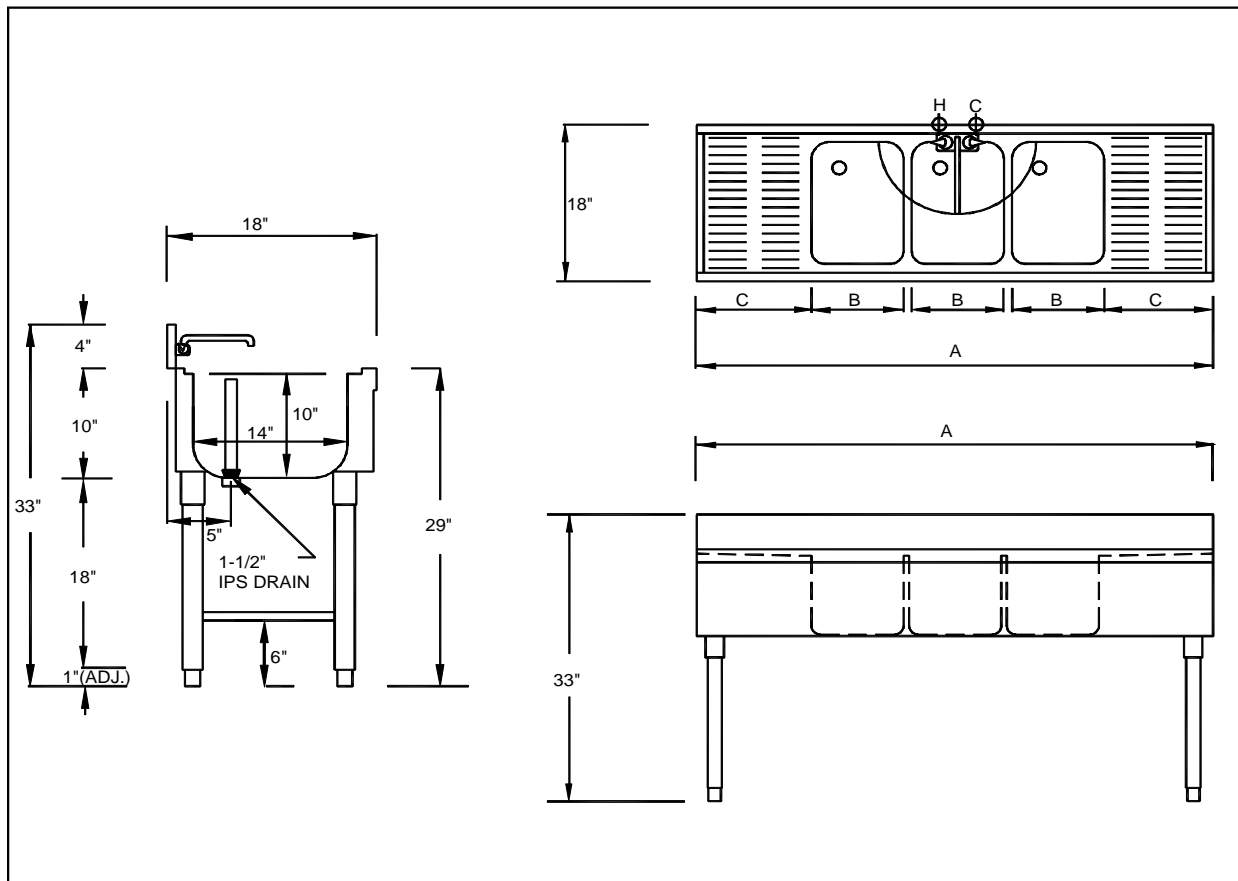
•**Legs:** 1-5/8" O.D. 18 gauge galvanized with electro static black powder coat and black plastic adjustable bullet feet. To include stainless steel legs add the suffix -SS.(Optional)

•**Plumbing:** 1-1/2" I.P.S. drain.

•**Faucets:** 4" on center splash mount with 10" swivel spout.



# Slimline



Model Number	Overall Length(A)	No. of Bowls(B)	Drainboard Length(C)	Packaged Weight	Packaged Cubic Feet	Sink Location
SLB-33C	35"	3	N/A	62 LBS.	9.3	Center
SLB-43L	47"	3	9"	65 LBS.	12.2	Left
SLB-43R	47"	3	9"	65 LBS.	12.2	Right
SLB-53C	59"	3	12"	74 LBS.	15.1	Center
SLB-53L	59"	3	21"	74 LBS.	15.1	Left
SLB-53R	59"	3	21"	74 LBS.	15.1	Right
SLB-63C	71"	3	18"	82 LBS.	18	Center
SLB-73C	83"	3	24"	92 LBS.	20.9	Center
SLB-83C	95"	3	30"	103 LBS.	23.8	Center

SupremeMetal is constantly engaged in a program of improving their products. We reserve the right to change our specifications without prior notice.