

• Beer Dispenser •

All Interior and Exterior Stainless Steel Construction

- * **Excellent Cooling System**
The powerful forced-air refrigeration system holds storage cabinet in a constant temperature.
- * **3" Diameter Stainless Steel Insulated Beer Columns**
- * **Door Locks Standard**
- * **CFC Free**
Foamed-in-place, high density, close cell, poly-urethane that is CFC free.
- * **CEC. California Energy Commission Certificated**
- * **MEA. City of New York Building Department Approved**



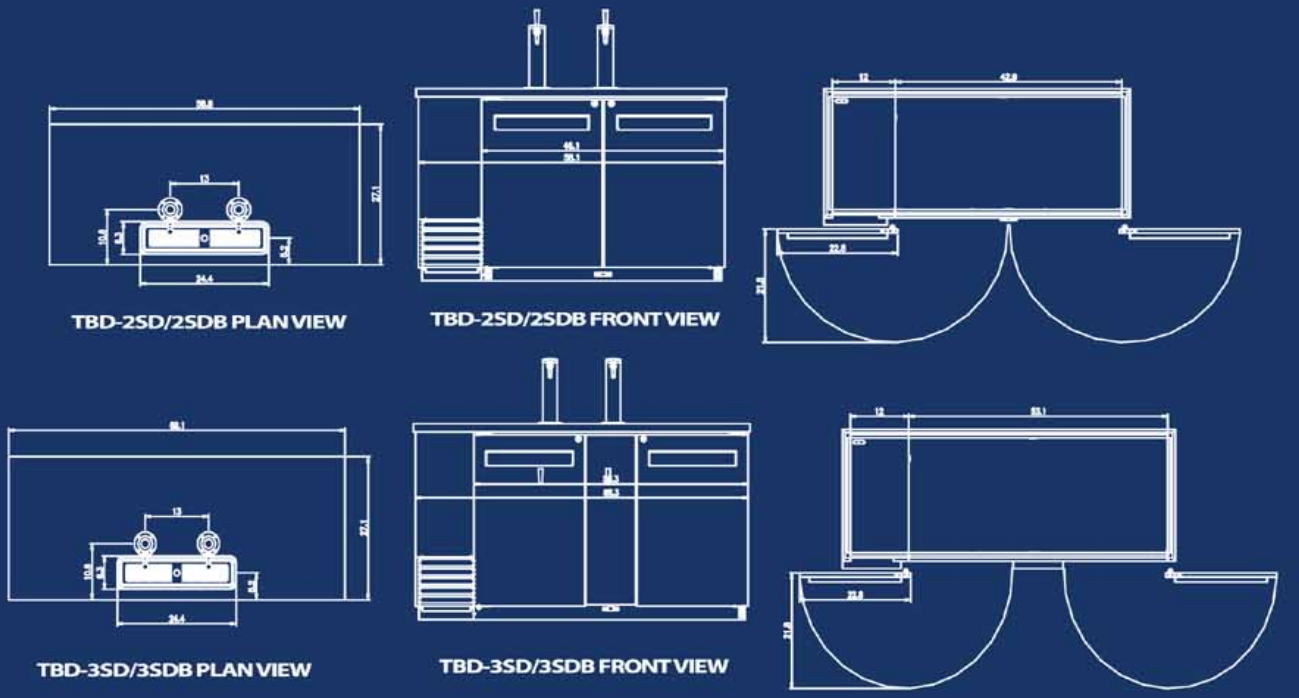
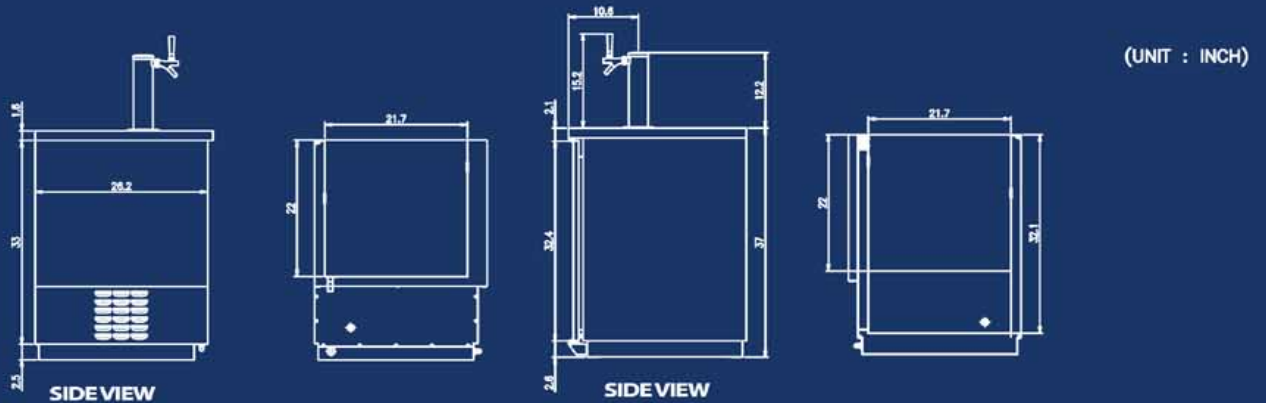
Model	Swing Door	1/2 Barrels	HP	AMPS	Weight	L D H	List Price
TBD-2SD	2	2	1/3	7.0	276	59 x 27 x 37	4,453.45
TBD-2SB	2	2	1/3	7.0	276	59 x 27 x 37	4,270.74
TBD-3SD	2	3	1/3	7.0	298	69 x 27 x 37	4,626.66
TBD-3SB	2	3	1/3	7.0	298	69 x 27 x 37	4,535.74

CABINET INTERIOR/EXTERIOR SPECIFICATIONS

MODEL	TBD-2SD/2SB	TBD-3SD/3SB
Exterior Dimensions(LxDxH)	58.8"x27.1"x37"(49.2")	69.1"x27.1"x37"(49.2")
Comp.	1/3 HP	1/3 HP
Weight	276lbs	298lbs
Power	115V / 60Hz	115V / 60Hz
Amp.	7.0 A	7.0 A
Cord Length	9.85 Feet	9.85 Feet
Plug-In	NEMA 5-15P	NEMA 5-15P

*Design and specifications can be changed without prior notice for product improvement.

- * Recessed Handles
- * Simple Plug-in Installation
- * Incandescent Interior lighting
- * Holds 33°F~ 38°F
- * **18 Month Labor and Parts Warranty for Super Deluxe series(SD Models)**



TBD-2SD/2SB/TBD-3SD/3SB